

ATPS, Inc.
PO Box 424
Dougllassville, PA 19518
Tel: 610.689.4540
Fax: 610.489.1641
E-mail : ATPSINC@aol.com

FAX ORDER

Customer Information

Bill TO:

Credit Card Billing Address

	PO Number & Credit Card Number
	CC Exp. Date:
	Credit Card Purchase Circle one Visa M/C
	Authorized:
	Signature
	TEL:
E-mail:	FAX:

Ship TO:

	Ship via :
	Type of Service:
	Acct Number:

Quantity	Tube Type	Anode Material†	Long Anode‡	Short Anode‡
	XRD 60-10 <i>Normal Focus</i>			
	XRD 60 -04 <i>Fine Focus</i>			
	XRD 60-12 <i>Long Fine Focus</i>			
	XRD 60C-12 <i>Long Fine Focus CERAMIC</i>			
	XRD 60-20 <i>Broad Focus</i>			

† - Anode Material Available: Cu, Mo, W, Cr, Co, Fe, Ag

‡ - See reverse side for detail drawing on long anode and short anode.

Represented by:

FOR OFFICE USE ONLY

ATPS, Inc
 Advanced Technical Products &
 Services
 PO Box 424
 Dougllassville, PA 19518
 TEL: 610.689.4540
 FAX 610.489.1641

Serial Number	Ship Detail	ACCT
	Date:	
	Size:	
	Weight:	

Production Tubes Available

Nomenclature	Description	Focal spot data (size at anode)
XRD 60-10	Normal focus	1.0 x 10mm ²
XRD 60-04	Fine focus	0.4 x 8 mm ²
XRD 60-12	Long Fine focus	0.4 x 12mm ²
XRD 60--20	Broad focus	2.0 x 12mm ²

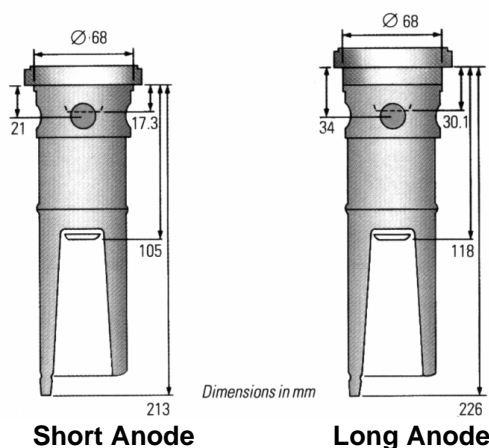
All above foci are available in the following anode materials

Ag – Silver Co – Cobalt Cr – Chrome Cu – Copper Fe – Iron Mo – Moly W - Tungsten

Characteristic Lines of Anode Materials

Target Material	Periodic No.	Wave K (a) in Å	Length K (b) in Å	Beta Filter	Excitation Voltage (kV)
Chromium	24	2,291	2,085	V	5.99
Iron	26	1,937	1,756	Mn	7.11
Cobalt	27	1,791	1,621	Fe	7.71
Copper	29	1,542	1,392	Ni	8.98
Molybdenum	42	0,710	0,632	NbZr	20.00
Silver	47	0,561	0,497	PdRh	25.51

Dimensions



<u>Dimension</u>	<u>Short Anode</u>	<u>Long Anode</u>
A	17.3 mm	30.1mm
B	21 mm	34mm
C	105 mm	118 mm
D	194mm	207 mm

100% Replacement Warranty

In the unlikely event that an XRD 1000 XRD tube should fail due to material or workmanship within the first twelve months or 2500hrs of operation, whichever occurs first. The XRD 1000 tube will be replaced.